

# 85GP 85GSP

## Emergency Eye/Face Wash - Plumbed-in Type: Pedestal Mounted

Pedestal mounted emergency eye/face wash with open 316L stainless steel bowl featuring twin spray nozzles protected by dust covers. When activated via the push plate, the water jets lift off the dust covers. The eye wash diffusers are fitted with fine mesh strainers and an individual flow controller designed to give a gentle flow of aerated water. Available with either galvanized or stainless steel pipework. Includes universal eye wash sign for enhanced visibility. ANSI compliant.



shown with  
optional treadle

## Specifications

MATERIALS OF CONSTRUCTION	
PIPEWORK AND FITTINGS (G)	Galvanized mild steel tubulars and fittings
PIPEWORK AND FITTINGS (GS)	Stainless steel tubulars and fittings
EYE/FACE WASH BOWL	316L stainless steel
EYE/FACE WASH DIFFUSERS	Chrome plated brass with stainless steel mesh
OPERATING VALVE	316L stainless steel, two piece stay open valve
SERVICES	
WATER INLET	1 1/4 in Female NPT
DESIGN OPERATING PRESSURE	2.0 to 6 BAR G (29 to 87 PSI)
TEST PRESSURE	10.3 BAR G (149 PSI)
MINIMUM FLOW RATES	11.4 liters/minute minimum (3 US Gallons)
ENVIRONMENTAL OPERATING TEMPERATURE	
MINIMUM AMBIENT OPERATING TEMPERATURE	5° C (41° F)
MAXIMUM AMBIENT OPERATING TEMPERATURE	35° C (95° F)
ACTIVATION/OPERATION	
EYE/FACE WASH OPERATION	Push plate operated
NOMINAL WEIGHTS and DIMENSIONS	
DIMENSIONS (WxDxH)	314 mm (12.4 in) x 538 mm (21.2 in) x 1156 mm (45.5 in)
WEIGHT	10 kg (22 lb)

# HUGHES



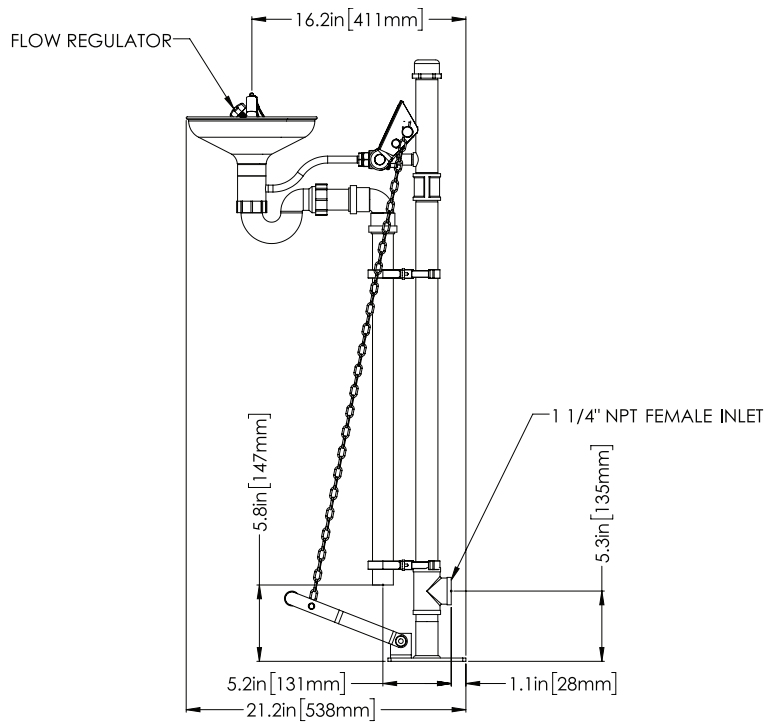
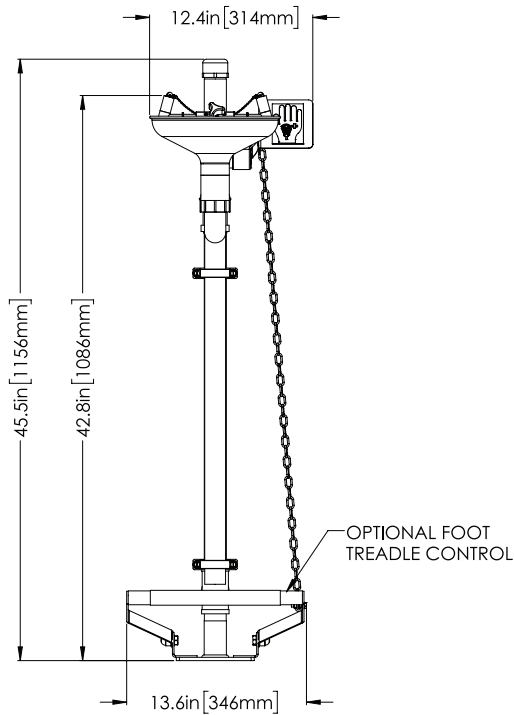
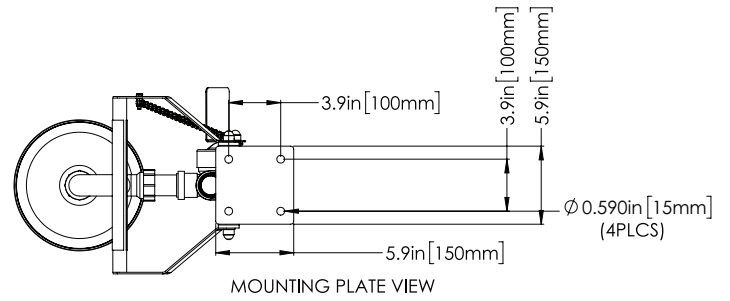
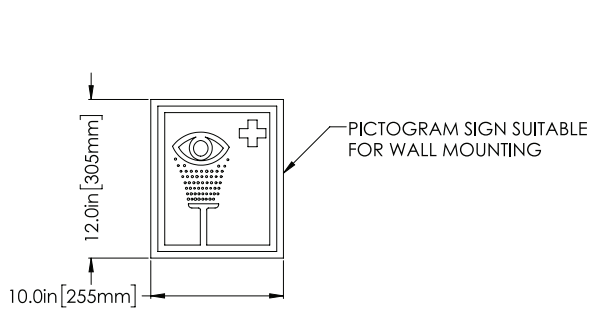
HUGHES-SAFETY-SHOWERS.COM

Justrite Safety Group

RM07283 RevA

[hughes-safety-showers.com](http://hughes-safety-showers.com)

Emergency Eye/Face Wash - Plumbed in Type: Pedestal Mounted



VARIATIONS IN MANUFACTURING AND ASSEMBLY ALLOW FOR ±1/8 IN [3MM] PER THREADED JOINT.

For Technical Support Contact:  
customer.service@hughes-safety.com • 1-866-312-1652

For Reorder & Sales Support Contact:  
custserv@justrite.com • 1-800-798-9250

**HUGHES**

HUGHES-SAFETY-SHOWERS.COM



Justrite Safety Group

Hughes North America  
457 Campbell Street  
Sarnia, Ontario N7T 2J1, Canada.

Registered No. 0939240. VAT Registration No. 918 5005 32 ©2019 Hughes Safety Showers