

QS2000

Emergency Tank Shower

Freeze protected emergency tank shower for use in non-hazardous environments. Designed to meet and exceed ANSI standards by providing tepid water for over 15 minutes at a guaranteed flow of 20 US gallons (76 liters) per minute, even when there is no plumbed in water supply. Features internally mounted, covered eye/face wash unit and rectangular hollow section galvanized steel frames designed and built to be earthquake proof and conform to the California Building Code. Ready for quick delivery—packed for economical shipment and assembly on-site.



Shown as packed for shipping

Specifications

TECHNICAL DATA

INLET CONNECTION SIZE & TYPE	3/4 in NPT Female (interior), 2 in NPT Female (exterior)
SHOWER OPERATION	Panic bar
EYE/FACE WASH OPERATION	Lift lid
SUPPLY PRESSURE	0.5 to 10 BAR G (8 to 145 PSI)
FLOW AT OPERATING PRESSURE	Shower - 76 liters/minute (20 US gallons). Eye/Face wash - 11.4 liters/minute (3 US gallons)
ELECTRICAL EQUIPMENT - Non-hazardous	Suitable for use in areas classified as non-hazardous
HEATING LOAD	1.7kW
ELECTRICAL SUPPLY	110V, single phase, 50/60Hz

MATERIALS OF CONSTRUCTION

SHOWER ROSE	GRP and stainless steel
PIPING & VALVE MATERIALS	uPVC and stainless steel
CONTROL VALVE - SHOWER	uPVC 1-1/2 in ball valve
CONTROL VALVE - EYE/FACE WASH	1/2 in 316L stainless steel full flow ball valve
EYE/FACE WASH STRAINER	1/2 in stainless steel
OVERFLOW	1 in NPT uPVC
BALLCOCK VALVE	2 x 1/2 in NPT brass
SHOWER VALVE LEVERS	Red reinforced nylon 6
EYE/FACE WASH VALVE LEVERS	Stainless steel
WATER TANK	2000 liter (528 US gallons) capacity medium density polyethylene
TANK SURROUND AND LID	Heavy-duty GRP in white
SHOWER FRAME AND LEGS	Galvanized steel
PULL RODS FOR VALVE ACTIVATION	Stainless steel
ALL FASTENERS AND FIXINGS	Stainless steel

ENVIRONMENTAL OPERATING TEMPERATURE

MINIMUM AMBIENT OPERATING TEMPERATURE	-10° C (14° F)
MAXIMUM AMBIENT OPERATING TEMPERATURE	40° C (104° F)

NOMINAL WEIGHTS AND DIMENSIONS

DIMENSIONS (WxDxH)	2086 mm (82.1 in) x 1528 mm (60.2 in) x 3732 mm (146.9 in)
WEIGHT	Empty: 482 kg (1062 lbs) Full: 1996 kg (4404 lbs)

HUGHES

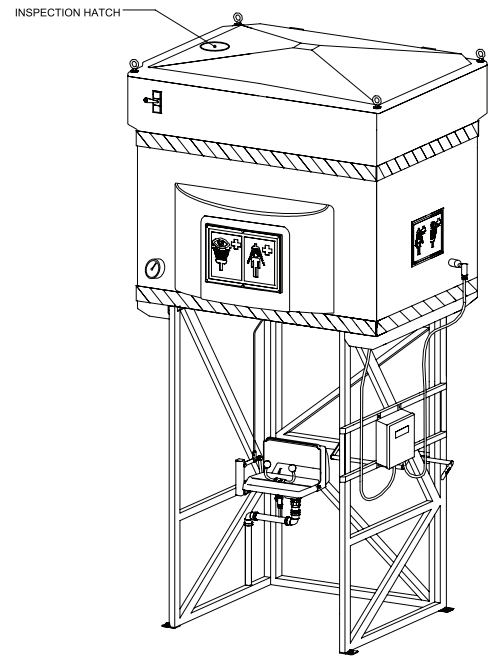
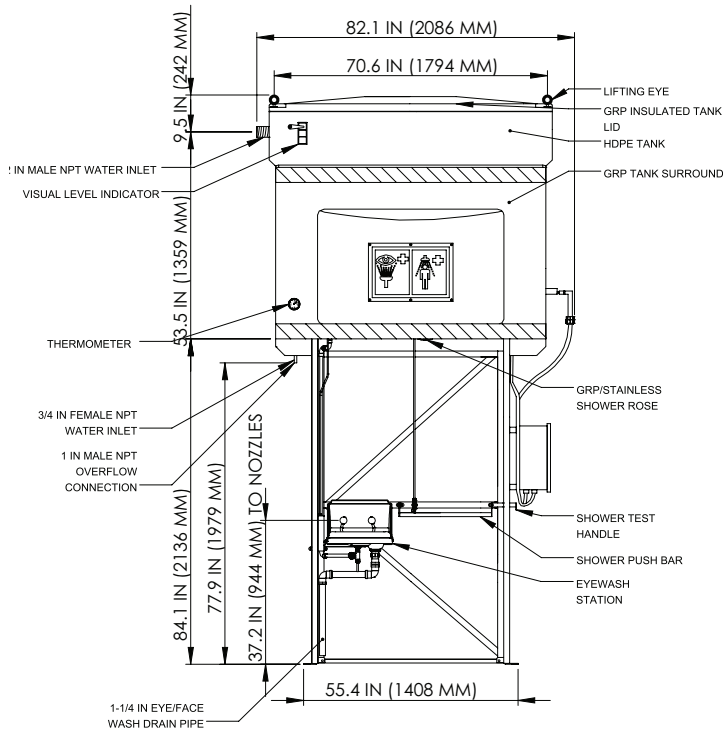


Justrite Safety Group

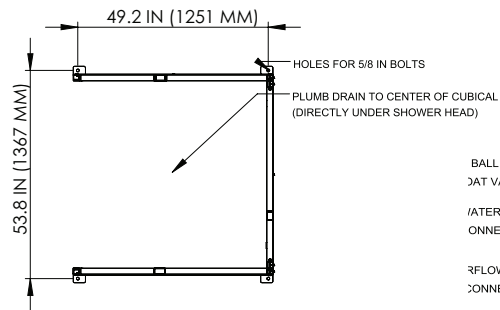
RevA 1/31/19

hughes-safety-showers.com

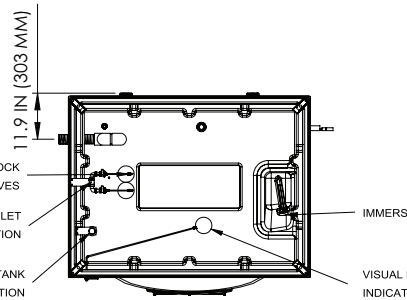
Emergency Tank Shower



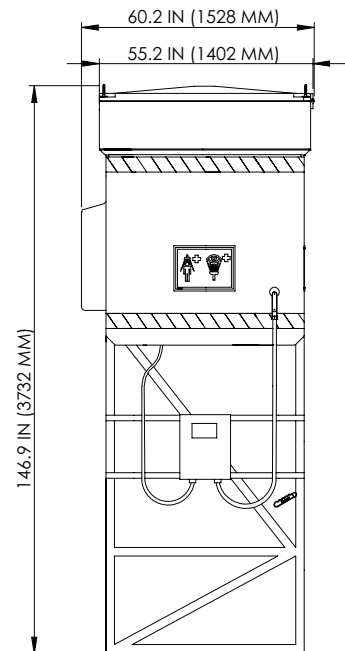
SIDE VIEW (EYEWASH OMITTED)



PLAN VIEW DETAILING FOOTPRINT



TOP VIEW OF TANK



NOTES

DUE TO WELDING TOLERANCES, DIMENSION TOLERANCE IS +/- 0.4 IN (10 MM).

TANK VOLUME TO 70.6 FT³ (2 M³).

CENTER OF GRAVITY IS LOCATED NEAR THE CENTER OF THE CUBICLE, JUST BELOW THE CEILING.

For Technical Support Contact:
customer.service@hughes-safety.com • 1-866-312-1652

For Reorder & Sales Support Contact:
custserv@justrite.com • 1-800-798-9250

HUGHES

HUGHES-SAFETY-SHOWERS.COM

Justrite Safety Group

Hughes North America
457 Campbell Street
Sarnia, Ontario N7T 2J1, Canada.

Registered No. 0939240. VAT Registration No. 918 5005 32 ©2019 Hughes Safety Showers